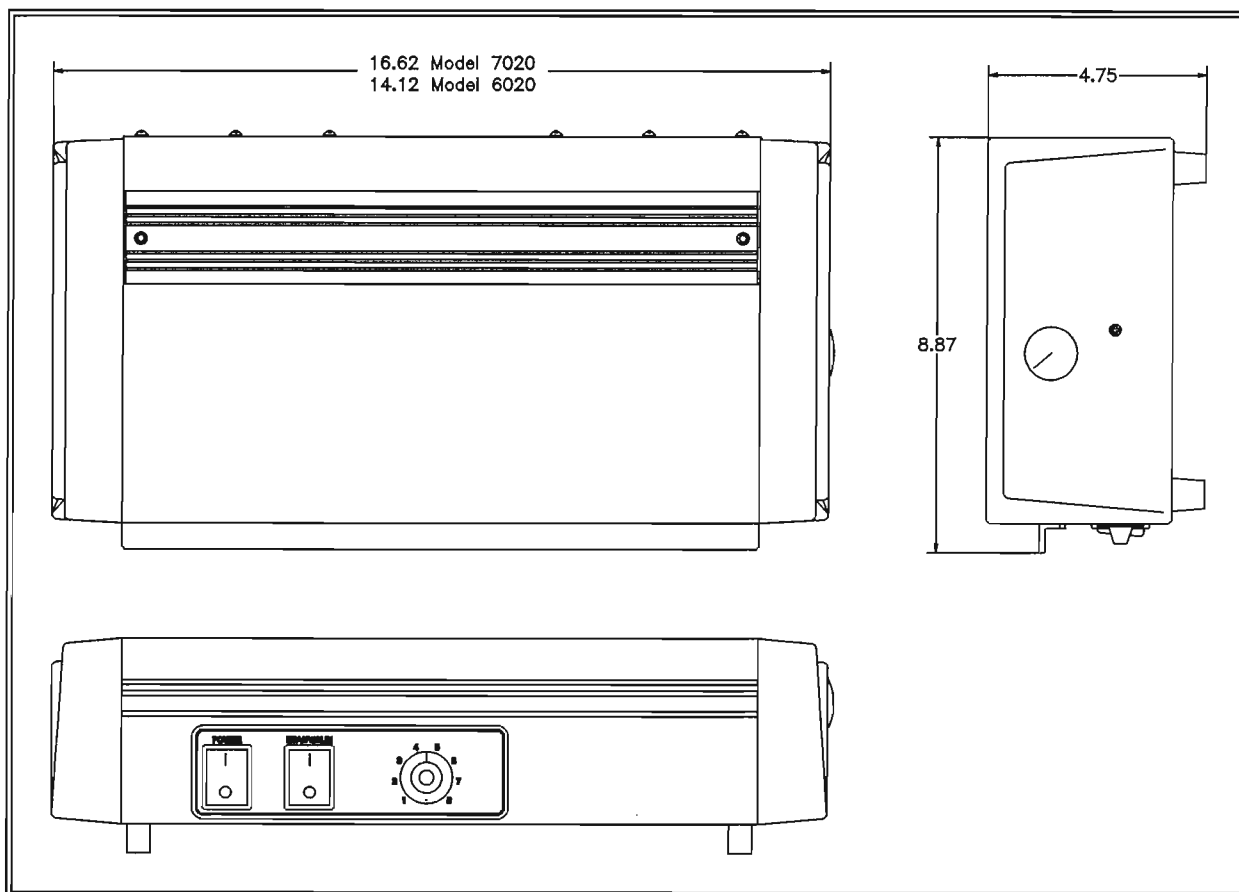


DURABLE POUCH LAMINATORS



MODELS 6020-NC AND 7020-NC LAMINATORS



GENERAL SPECIFICATIONS

SIZE: Model 6020: 8.75" X 14.12" x 4.75"
Model 7020: 8.75" X 16.62" x 4.75"

WEIGHT: Model 6020: 11 lbs.
Model 7020: 13 lbs.

MOTOR: 14 RPM Standard. (*32" per minute*)
8 RPM or 5 RPM Optional

AVAILABLE COLORS:
Black, White, or Grey, with matching or contrasting side covers. *Special colors available if quantities warrant.*

CHASSIS: Vinyl Clad steel with molded plastic side covers.

ROLLERS: Molded silicone rubber.

ROLLER BEARINGS:
Sintered bronze; impregnated with high temperature synthetic lubricant.

CONTROLS: Separate, illuminated POWER and RUN switches providing Stand-By capability.

POWER RATING:
Model 6020: 4.4A 115 VAC
Model 7020: 5.4A 115 VAC

TEMPERATURE CONTROL:
Solid State temperature control. Heater temperature sensed by a thermistor mounted in the lower heater platen.

TEMPERATURE ADJUSTMENT:
External temperature adjustment located on front panel. Factory calibrated to accommodate normal generic pouches. (*May be factory calibrated for specific requirements.*)

THERMOMETER:
Built-in thermometer is standard equipment.

EXIT TABLE:
Fan cooled; with finned aluminum heat sink for additional cooling.

MAXIMUM ENTRY WIDTH:
Model 6020: 9 13/16"
Model 7020: 12 9/16"

Machines are warranted against defects or wear out. Details of warranty available from factory upon request.